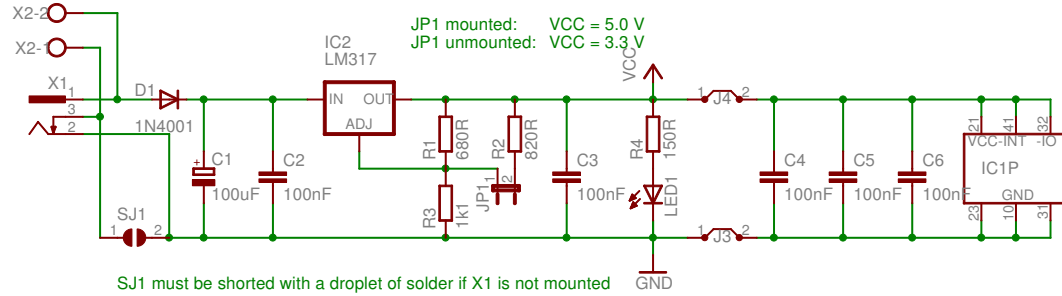
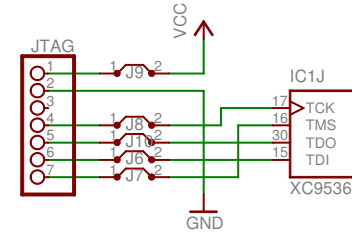


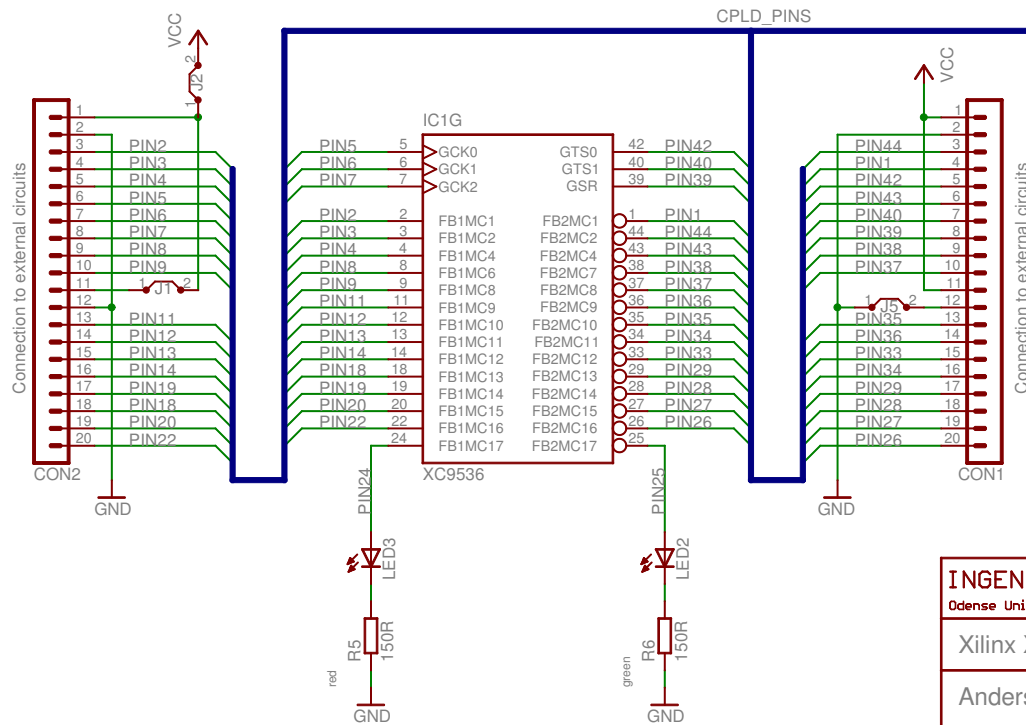
Power supply



JTAG connections

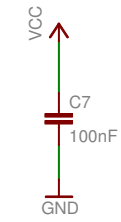
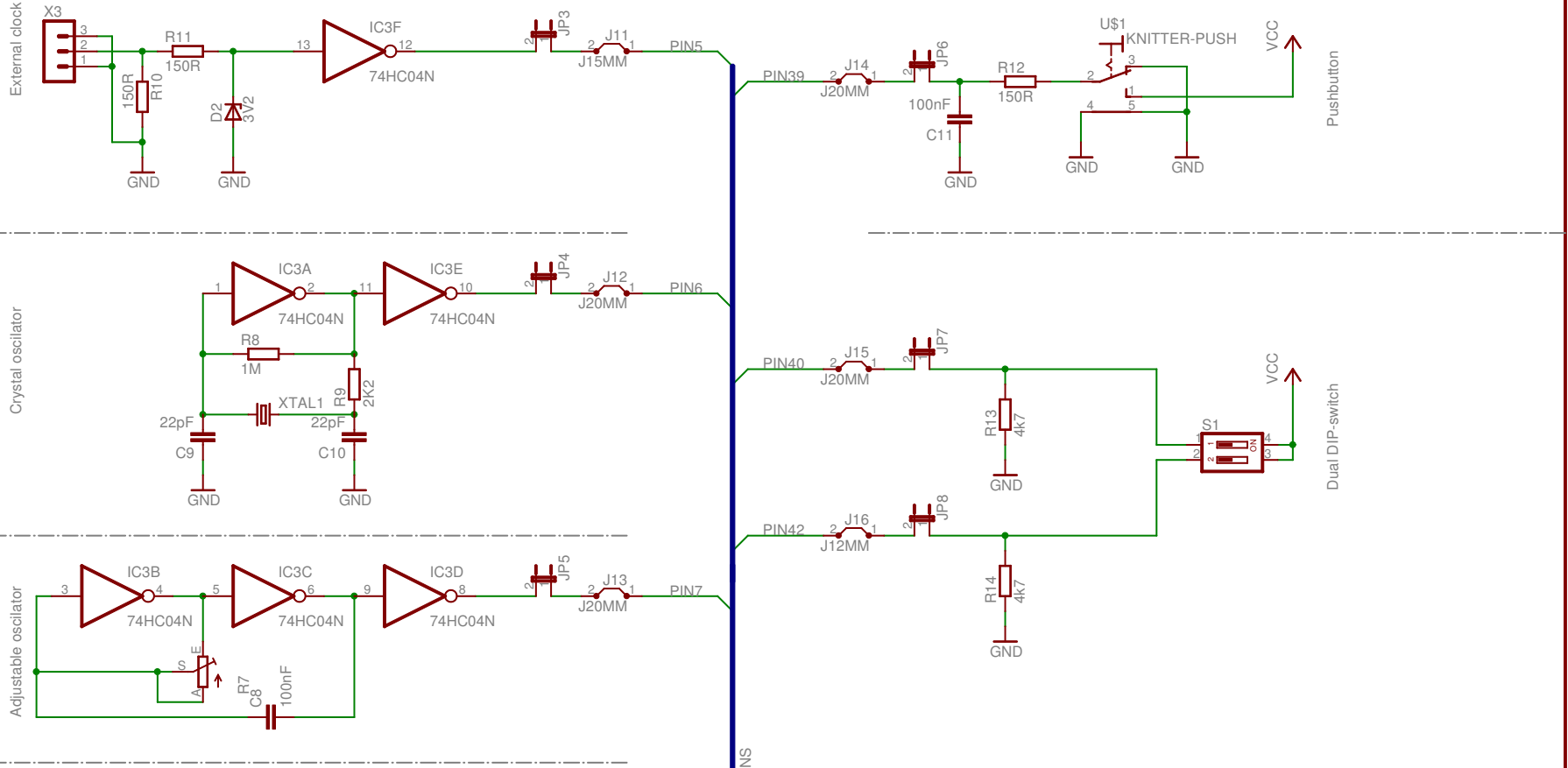


CPLD I/O connections



| | |
|--|---------------|
| INGENIØRHØJSKOLEN ODENSE TEKNIKUM Odense University College of Engineering | |
| Xilinx XC9536 CPLD demo board Title | |
| Anders Stengaard Sørensen Author(s) | |
| HOPE <small>Hands On Programmable Electronics</small> Project | HBS |
| FILE: demo | REV: 4 |
| Date: 2/03/2005 20:50:05 | Sheet: 1/3 |

On-board input devices



from sheet 1

| | |
|--|------------|
| INGENIØRHØJSKOLEN ODENSE TEKNIKUM | |
| Odense University College of Engineering | |
| Xilinx XC9536 CPLD demo board | Title |
| Anders Stengaard Sørensen | Author(s) |
| HOPE Hands On Programmable Electronics | Project |
| FILE: demo | REV: 4 |
| Date: 2/03/2005 20:50:09 | Sheet: 2/3 |

